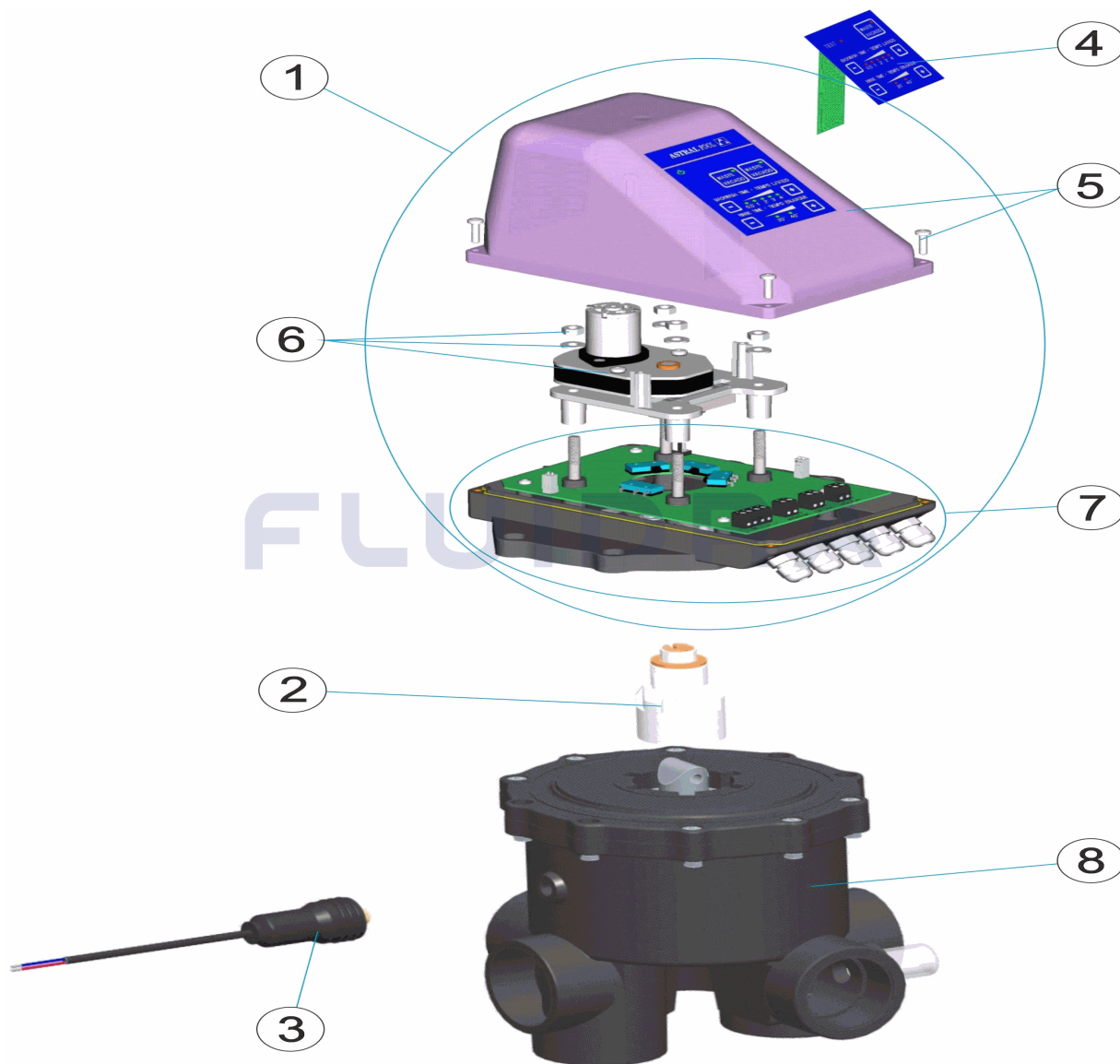


CODIGO 57186, 57187

DESCRIPCION: VALVULA SELECTORA 1 1/2" & 2" AUTOMATIC "



**ESPAÑOL**

POS	CODIGO	DESCRIPCION	CANTIDAD	POS	CODIGO	DESCRIPCION	CANTIDAD
1	* 4404120062	CJTO. ACTUADOR VSA. BASIC 1 1/2"		5	* 4404120051	CJTO. TAPA CAJA ACTUADOR 2"	
1	* 4404120063	CJTO. ACTUADOR 2" BASIC		5	* 4404120065	CJTO. TAPA CAJA ACTUADOR	
2	4404121502	CJTO. LEVA TRINQUETE		6	4404120049	CJTO. SOPORTE MOTOREDUCTOR	
3	* 4404121501	PRESOSTATO + ARANDELA + CABLE 1 1/2"		7	* 4404120060	CJTO. CAJA ACTUADOR 1 1/2"	
3	* 4404122709	CJTO. PRESOSTATO + ARANDELA + CABLE		7	* 4404120061	CJTO. BASE ACTUADOR 2"	
4	* 4404120045	TECLADO MEMBRANA		8	* 00599AUTO	VALVULA SELECTORA AUTOMATICA 1 1/2"	
4	* 4404120064	TECLADO MEMBRANA		8	* 07444AUTO	VALVULA SELECTORA AUTOMATICA 2"	
5	* 4404120048	CJTO. TAPA CAJA ACTUADOR 1 1/2"					

CODIGO **57186, 57187**

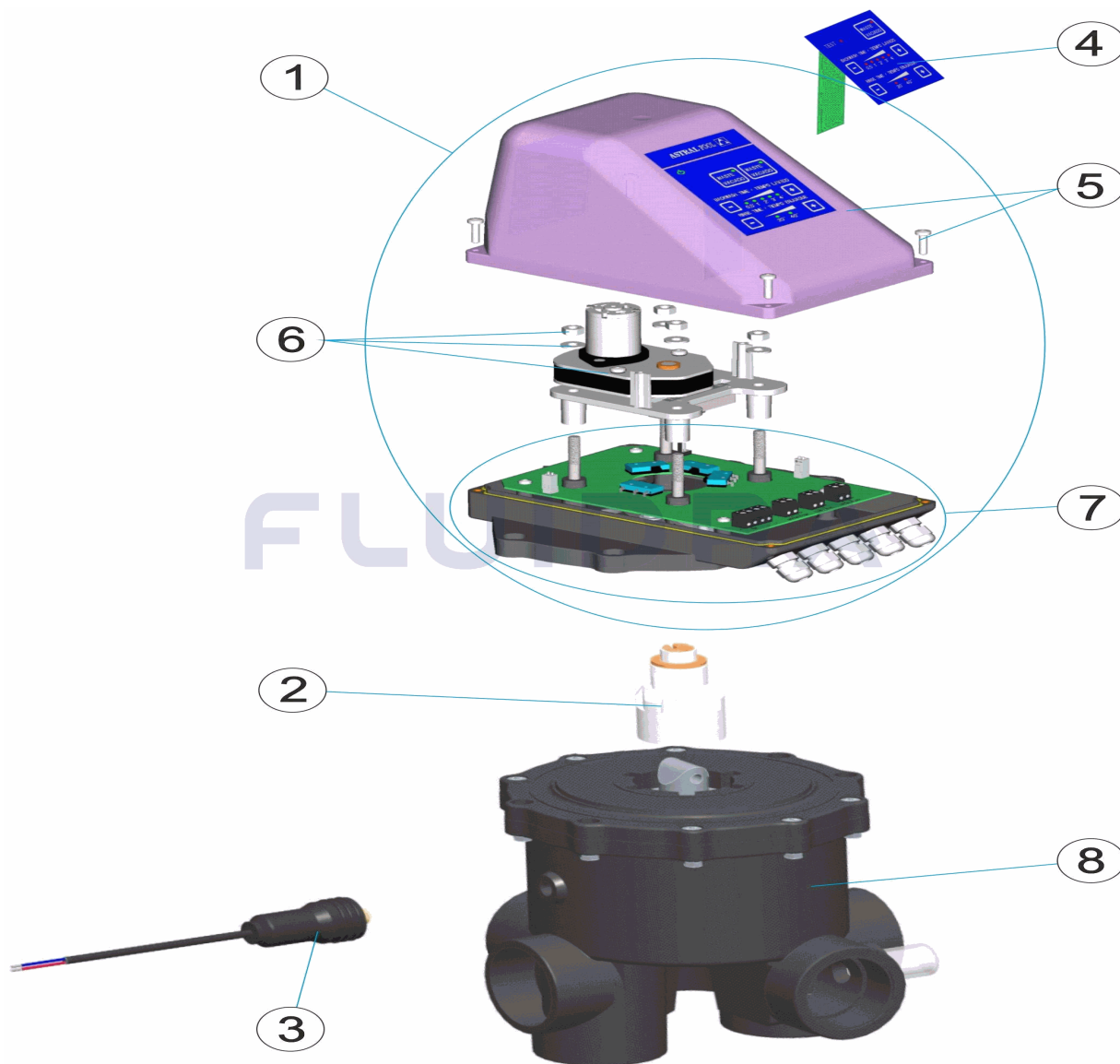
DESCRIPCION: **VALVULA SELECTORA 1 1/2" & 2" AUTOMATIC "**

## OBSERVACIONES

POS	CODIGO	OBSERVACIONES
1	* 4404120062	PARA: 57186 ACTUALIZAR A VRAC III / TO UPDATE TO VRAC III
1	* 4404120063	PARA: 57187 ACTUALIZAR A VRAC III / TO UPDATE TO VRAC III
3	* 4404121501	PARA: 57186
3	* 4404122709	PARA: 57187
4	* 4404120045	PARA: ACTUADOR ORIGINAL / ORIGINAL ACTUATOR
4	* 4404120064	PARA: SI SE ACTUALIZO A VRAC III / IF UPDATED TO VRAC III
5	* 4404120048	PARA: 57186
5	* 4404120051	PARA: 57187
5	* 4404120065	PARA: SI SE ACTUALIZO A VRAC III / IF UPDATED TO VRAC III
7	* 4404120060	PARA: 57186 ACTUALIZAR A VRAC III (KIT PLACA Y TECLADO) / TO UPDATE TO VRAC III (SET PLATE AND KEYBOARD)
7	* 4404120061	PARA: 57187 ACTUALIZAR A VRAC III (KIT PLACA Y TECLADO) / TO UPDATE TO VRAC III (SET PLATE AND KEYBOARD)
8	* 00599AUTO	PARA: 57186
8	* 07444AUTO	PARA: 57187

CODE 57186, 57187

DESCRIPTION: SÉLECTEUR 1 1/2" & 2" AUTOMATIQUE "



FRANCAIS

POS	CODE	DESCRIPTION	QUANTITE	POS	CODE	DESCRIPTION	QUANTITE
1	* 4404120062	ACTIONNEUR BASIC 1 1/2"		5	* 4404120051	ENS. COUVERCLE BOÎTIER ACTIONNEUR 2	
1	* 4404120063	ACTIONNEUR BASIC 2"		5	* 4404120065	ENS. COUVERCLE BOÎTIER ACTIONNEUR	
2	4404121502	ENSEMBLE LEVIER CLIQUET		6	4404120049	ENS. SUPPORT MOTORÉDUCTEUR	
3	* 4404121501	ENSEMBLE PRESSOSTAT + RONDELLE + C		7	* 4404120060	ENS. BASE ACTIONNEUR 1 1/2"	
3	* 4404122709	ENSEMBLE PRESSOSTAT + RONDELLE + C		7	* 4404120061	ENS. BASE ACTIONNEUR 2"	
4	* 4404120045	CLAVIER MEMBRANE		8	* 00599AUTO	SÉLECTEUR AUTOMATIQUE 1 1/2	
4	* 4404120064	CLAVIER MEMBRANE		8	* 07444AUTO	SÉLECTEUR AUTOMATIQUE 2"	
5	* 4404120048	ENS. COUVERCLE BOÎTIER ACTIONNEUR					

CODE **57186, 57187**

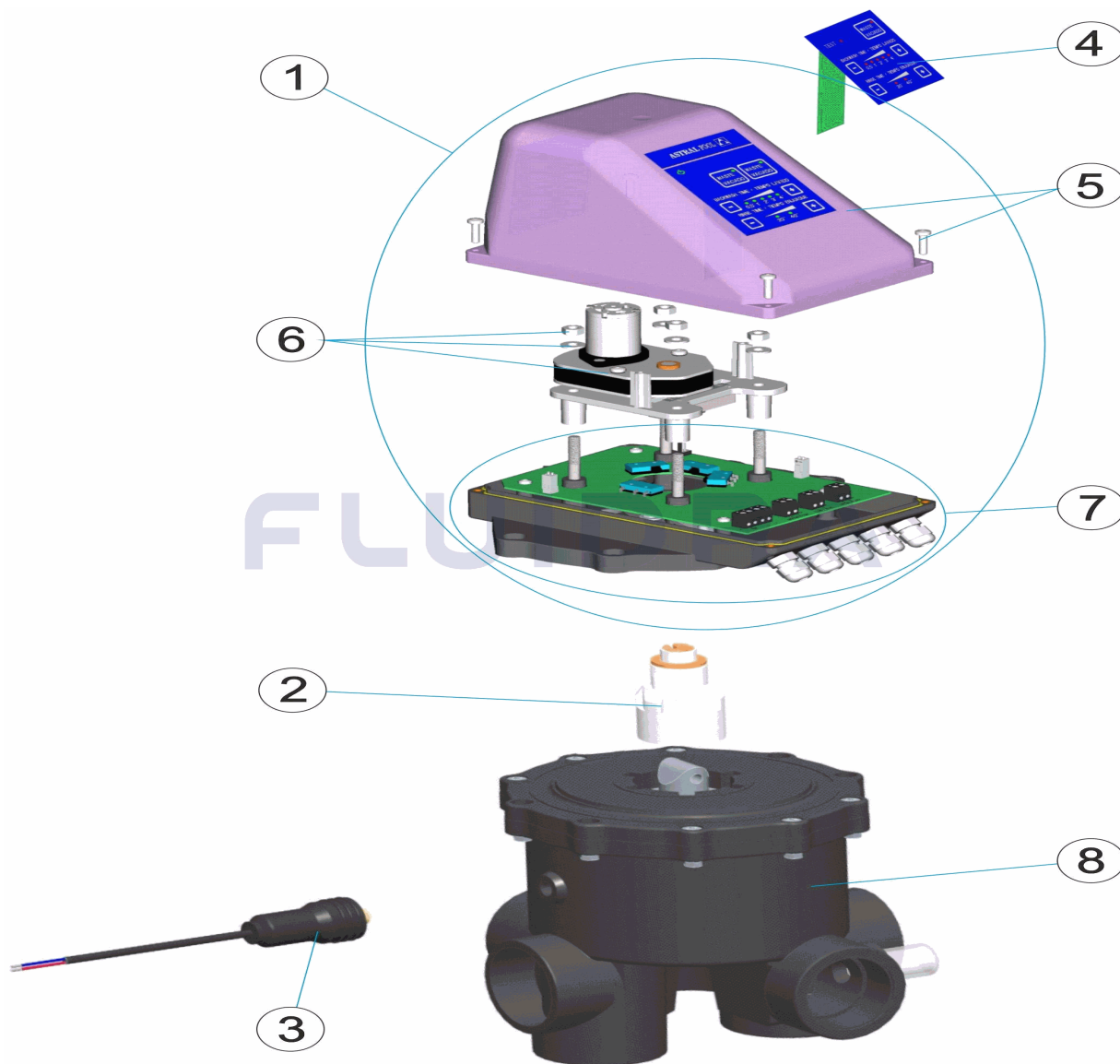
DESCRIPTION: **SÉLECTEUR 1 1/2" & 2" AUTOMATIQUE "**

## OBSERVATIONS

POS	CODE	OBSERVATIONS
1	* 4404120062	POUR: 57186 ACTUALIZAR A VRAC III / TO UPDATE TO VRAC III
1	* 4404120063	POUR: 57187 ACTUALIZAR A VRAC III / TO UPDATE TO VRAC III
3	* 4404121501	POUR: 57186
3	* 4404122709	POUR: 57187
4	* 4404120045	POUR: ACTUADOR ORIGINAL / ORIGINAL ACTUATOR
4	* 4404120064	POUR: SI SE ACTUALIZO A VRAC III / IF UPDATED TO VRAC III
5	* 4404120048	POUR: 57186
5	* 4404120051	POUR: 57187
5	* 4404120065	POUR: SI SE ACTUALIZO A VRAC III / IF UPDATED TO VRAC III
7	* 4404120060	POUR: 57186 ACTUALIZAR A VRAC III (KIT PLACA Y TECLADO) / TO UPDATE TO VRAC III (SET PLATE AND KEYBOARD)
7	* 4404120061	POUR: 57187 ACTUALIZAR A VRAC III (KIT PLACA Y TECLADO) / TO UPDATE TO VRAC III (SET PLATE AND KEYBOARD)
8	* 00599AUTO	POUR: 57186
8	* 07444AUTO	POUR: 57187

CODE 57186, 57187

DESCRIPTION: AUTOMATIC MULTIPORT VALVE 1 1/2" & 2"



**ENGLISH**

POS	CODE	DESCRIPTION	QUANTITY	POS	CODE	DESCRIPTION	QUANTITY
1	* 4404120062	ACTUATOR SET VSA. BASIC 1 1/2"		5	* 4404120051	ACTUATOR BOX COVER SET 2"	
1	* 4404120063	ACTUATOR SET BASIC 2"		5	* 4404120065	ACTUATOR BOX COVER SET	
2	4404121502	CATCH LEVER UNIT		6	4404120049	GEARED MOTOR SUPPORT SET	
3	* 4404121501	PRESSURE CONTROL UNIT + WASHER + C		7	* 4404120060	ACTUATOR BASE SET 11/2"	
3	* 4404122709	PRESSURE CONTROL UNIT + WASHER + C		7	* 4404120061	ACTUATOR BASE SET 2"	
4	* 4404120045	MEMBRANE KEYBOARD		8	* 00599AUTO	AUTOMATIC MULTIPORT VALVE 1 1/2"	
4	* 4404120064	MEMBRANE KEYBOARD		8	* 07444AUTO	AUTOMATIC MULTIPORT VALVE 2"	
5	* 4404120048	ACTUATOR BOX COVER SET 1 1/2"					

CODE **57186, 57187**

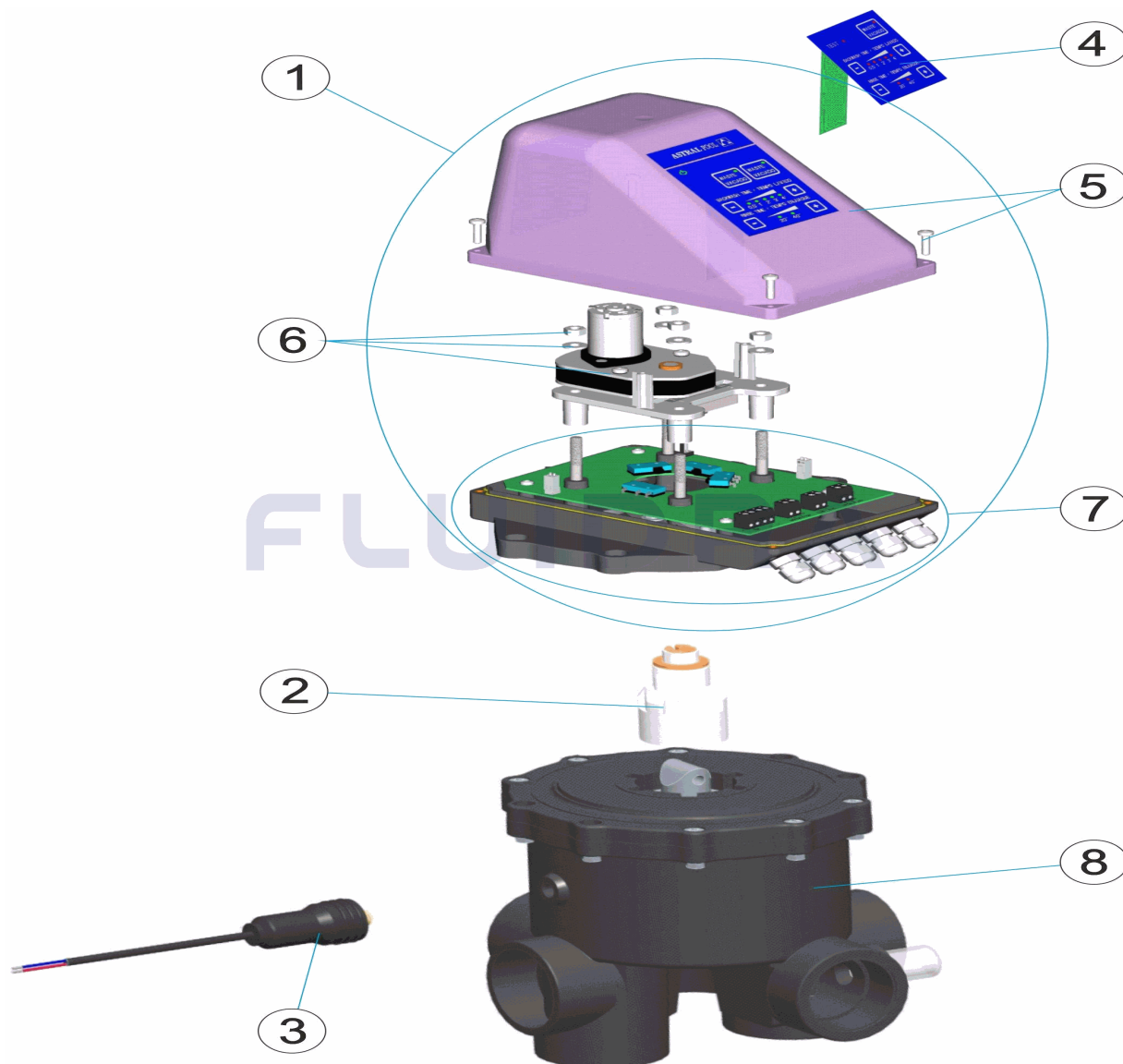
DESCRIPTION: **AUTOMATIC MULTIPORT VALVE 1 1/2" & 2"**

## OBSERVATIONS

POS	CODE	OBSERVATIONS
1	* 4404120062	FOR: 57186 ACTUALIZAR A VRAC III / TO UPDATE TO VRAC III
1	* 4404120063	FOR: 57187 ACTUALIZAR A VRAC III / TO UPDATE TO VRAC III
3	* 4404121501	FOR: 57186
3	* 4404122709	FOR: 57187
4	* 4404120045	FOR: ACTUADOR ORIGINAL / ORIGINAL ACTUATOR
4	* 4404120064	FOR: SI SE ACTUALIZO A VRAC III / IF UPDATED TO VRAC III
5	* 4404120048	FOR: 57186
5	* 4404120051	FOR: 57187
5	* 4404120065	FOR: SI SE ACTUALIZO A VRAC III / IF UPDATED TO VRAC III
7	* 4404120060	FOR: 57186 ACTUALIZAR A VRAC III (KIT PLACA Y TECLADO) / TO UPDATE TO VRAC III (SET PLATE AND KEYBOARD)
7	* 4404120061	FOR: 57187 ACTUALIZAR A VRAC III (KIT PLACA Y TECLADO) / TO UPDATE TO VRAC III (SET PLATE AND KEYBOARD)
8	* 00599AUTO	FOR: 57186
8	* 07444AUTO	FOR: 57187

CODICE 57186, 57187

DESCRIZIONE: VALVOLA SELETRICE AUTOMATICA 1 1/2" & 2"



ITALIANO

POS	CODICE	DESCRIZIONE	QUANTITA'	POS	CODICE	DESCRIZIONE	QUANTITA'
1	* 4404120062	ATTUATORE VSA BASIC 1 1/2"		5	* 4404120051	SET TAPPO SCATOLA ATTUATORE 2"	
1	* 4404120063	KIT ATTUATORE VSA BASIC 2"		5	* 4404120065	SET TAPPO SCATOLA ATTUATORE	
2	4404121502	KIT LEVA		6	4404120049	SET SUPPORTO MOTORIDUTTORE	
3	* 4404121501	KIT PRESSOSTATO + RONDELLA + CAVO 1		7	* 4404120060	SET BASE ATTUATORE 1 1/2"	
3	* 4404122709	KIT PRESSOSTATO + RONDELLA + CAVO 2		7	* 4404120061	SET BASE ATTUATORE 2"	
4	* 4404120045	TASTIERA A MEMBRANA		8	* 00599AUTO	VALVOLA SELETRICE AUTOMATICA 1 1/2"	
4	* 4404120064	TASTIERA A MEMBRANA		8	* 07444AUTO	VALVOLA SELETRICE AUTOMATICA 2"	
5	* 4404120048	SET TAPPO SCATOLA ATTUATORE 1 1/2"					

CODICE **57186, 57187**

DESCRIZIONE: **VALVOLA SELETRICE AUTOMATICA 1 1/2" & 2"**

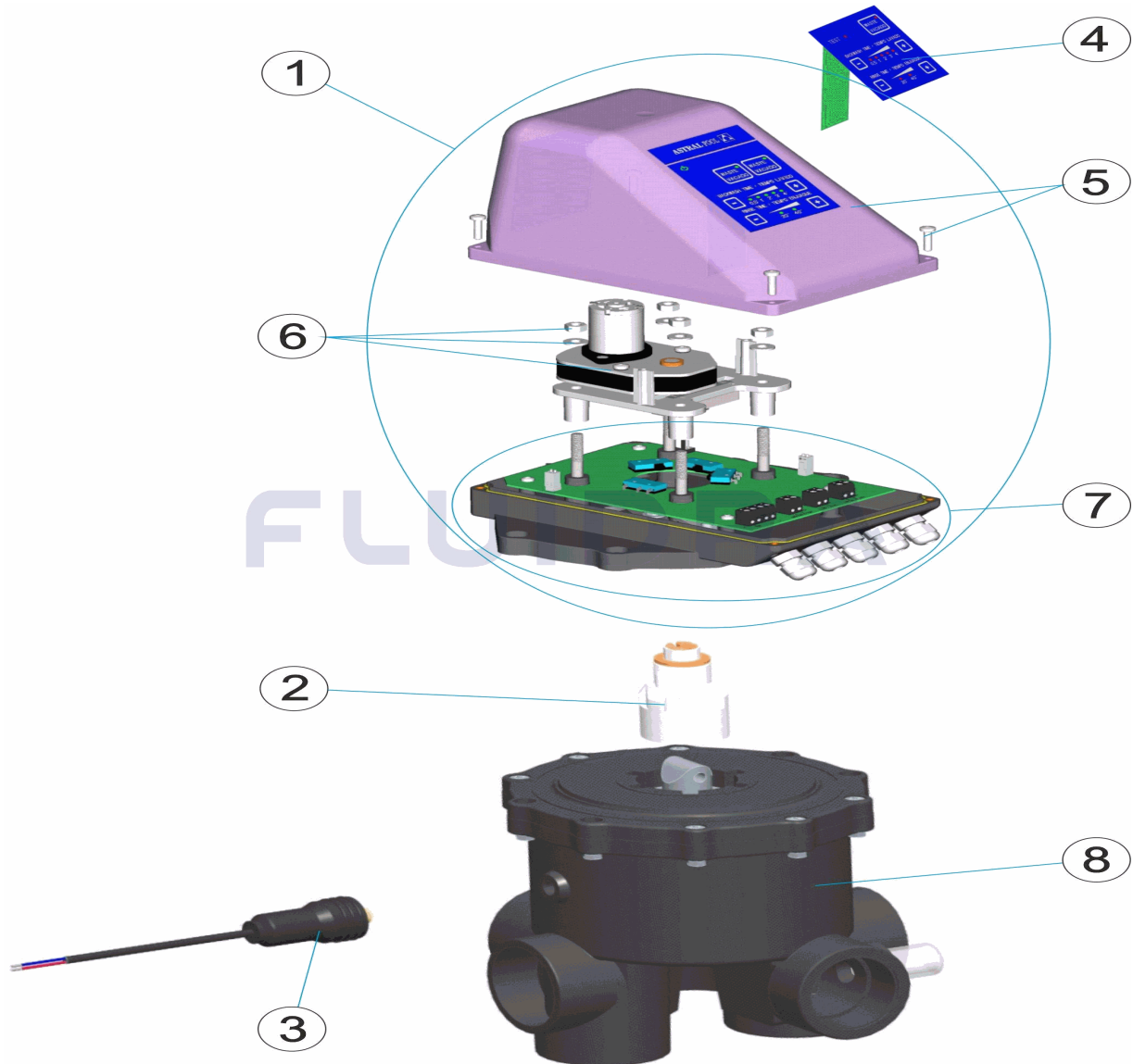
## OSSERVAZIONI

POS	CODICE	OSSERVAZIONI
1	* 4404120062	PER: 57186 ACTUALIZAR A VRAC III / TO UPDATE TO VRAC III
1	* 4404120063	PER: 57187 ACTUALIZAR A VRAC III / TO UPDATE TO VRAC III
3	* 4404121501	PER: 57186
3	* 4404122709	PER: 57187
4	* 4404120045	PER: ACTUADOR ORIGINAL / ORIGINAL ACTUATOR
4	* 4404120064	PER: SI SE ACTUALIZO A VRAC III / IF UPDATED TO VRAC III
5	* 4404120048	PER: 57186
5	* 4404120051	PER: 57187
5	* 4404120065	PER: SI SE ACTUALIZO A VRAC III / IF UPDATED TO VRAC III
7	* 4404120060	PER: 57186 ACTUALIZAR A VRAC III (KIT PLACA Y TECLADO) / TO UPDATE TO VRAC III (SET PLATE AND KEYBOARD)
7	* 4404120061	PER: 57187 ACTUALIZAR A VRAC III (KIT PLACA Y TECLADO) / TO UPDATE TO VRAC III (SET PLATE AND KEYBOARD)
8	* 00599AUTO	PER: 57186
8	* 07444AUTO	PER: 57187



CODE 57186, 57187

BESCHREIBUNG: MEHRWEGVENTIL 1 1/2" & 2" AUTOMATISCH "



**DEUTSCH**

POS	CODE	BESCHREIBUNG	MENGE	POS	CODE	BESCHREIBUNG	MENGE
1	* 4404120062	SET AUSLÖSER VSA. BASIC 1 1/2"		5	* 4404120051	SET ABDECKUNG GEHÄUSE AUSLÖSER 2"	
1	* 4404120063	SET AUSLÖSER 2" BASIC		5	* 4404120065	SET ABDECKUNG GEHÄUSE AUSLÖSER	
2	4404121502	SET EINRASTSCHNAPPE		6	4404120049	SET HALTERUNG REDUZIERMOTOR	
3	* 4404121501	PRESOSTAT MIT UNTERLEGSCHNEIBE MIT		7	* 4404120060	SET GEHÄUSE AUSLÖSER 1 1/2"	
3	* 4404122709	SET DRUCKMESSER MIT UNTERLEGSCHNE		7	* 4404120061	SET BASIS AUSLÖSER 2"	
4	* 4404120045	TASTATUR MBRAN		8	* 00599AUTO	MEHRWEGVENTIL AUTOMATISCH 1 1/2"	
4	* 4404120064	TASTATUR MBRAN		8	* 07444AUTO	MEHRWEGVENTIL AUTOMATISCH 2"	
5	* 4404120048	SET ABDECKUNG GEHÄUSE AUSLÖSER 1					

CODE **57186, 57187**

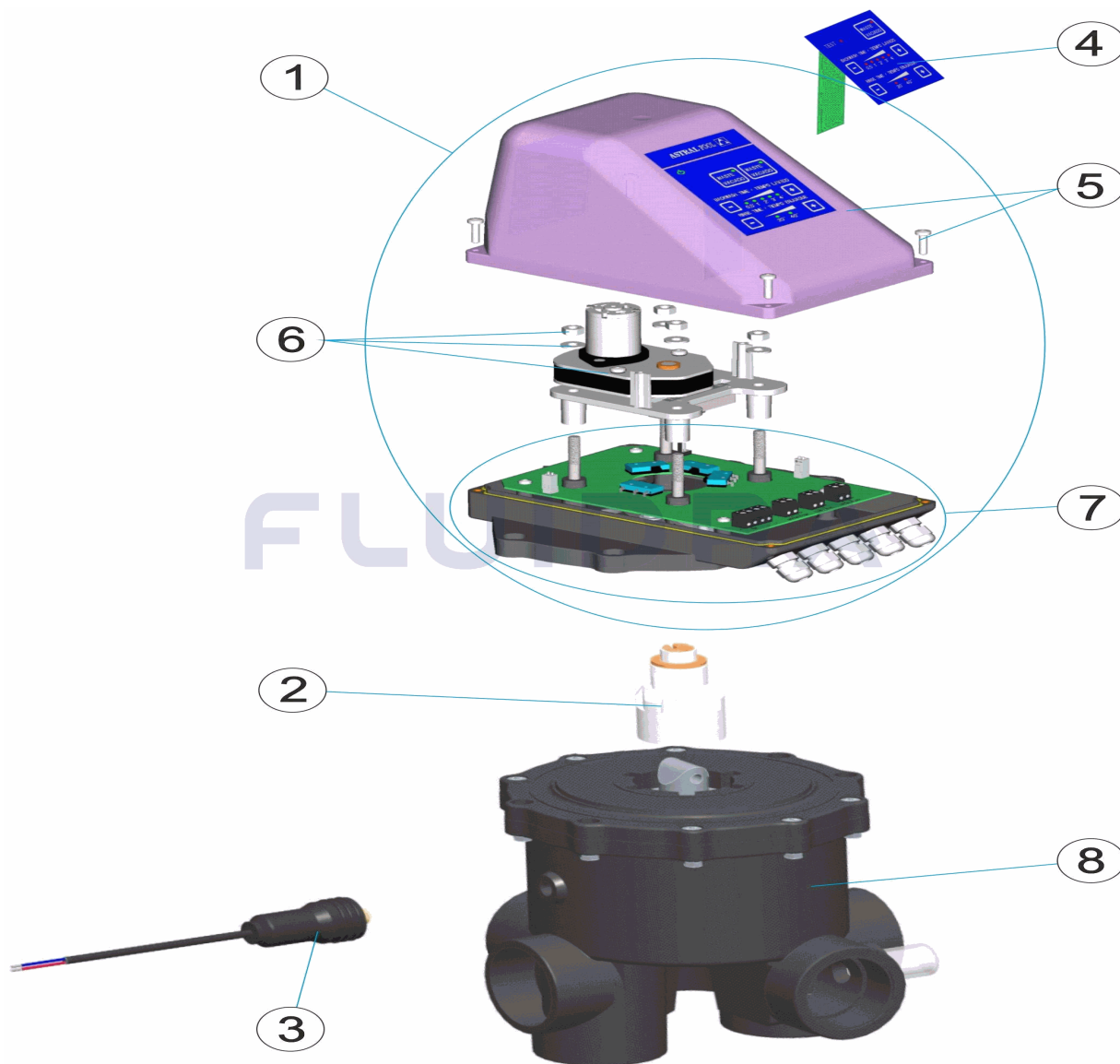
BESCHREIBUNG: **MEHRWEGVENTIL 1 ½" & 2" AUTOMATISC "**

## HINWEISE

POS	CODE	HINWEISE
1	* 4404120062	FÜR: 57186 ACTUALIZAR A VRAC III / TO UPDATE TO VRAC III
1	* 4404120063	FÜR: 57187 ACTUALIZAR A VRAC III / TO UPDATE TO VRAC III
3	* 4404121501	FÜR: 57186
3	* 4404122709	FÜR: 57187
4	* 4404120045	FÜR: ACTUADOR ORIGINAL / ORIGINAL ACTUATOR
4	* 4404120064	FÜR: SI SE ACTUALIZO A VRAC III / IF UPDATED TO VRAC III
5	* 4404120048	FÜR: 57186
5	* 4404120051	FÜR: 57187
5	* 4404120065	FÜR: SI SE ACTUALIZO A VRAC III / IF UPDATED TO VRAC III
7	* 4404120060	FÜR: 57186 ACTUALIZAR A VRAC III (KIT PLACA Y TECLADO) / TO UPDATE TO VRAC III (SET PLATE AND KEYBOARD)
7	* 4404120061	FÜR: 57187 ACTUALIZAR A VRAC III (KIT PLACA Y TECLADO) / TO UPDATE TO VRAC III (SET PLATE AND KEYBOARD)
8	* 00599AUTO	FÜR: 57186
8	* 07444AUTO	FÜR: 57187

CODIGO 57186, 57187

DESCRIÇÃO: VÁLVULA SELECTORA AUTOMÁTICA 1 1/2" & 2"



**PORTUGUES**

POS	CODIGO	DESCRIÇÃO	JANTIDADE	POS	CODIGO	DESCRIÇÃO	JANTIDADE
1	* 4404120062	CJTO. ACTUADOR VSA BASIC 1 1/2"		5	* 4404120051	CJTO. TAMPA CAIXA ATUADOR 2"	
1	* 4404120063	CJTO. ACTUADOR VSA BASIC 2"		5	* 4404120065	CJTO. TAMPA CAIXA ATUADOR	
2	4404121502	CJTO. MANIPULO TRINQUETE		6	4404120049	CJTO. SUPORTE MOTOREDUTOR	
3	* 4404121501	CJTO. PRESSOSTATO + ANILHA + CABO 1		7	* 4404120060	CJTO. BASE ATUADOR 1 1/2"	
3	* 4404122709	CJTO. PRESSOSTATO + ANILHA + CABO 2"		7	* 4404120061	CJTO. BASE ATUADOR 2"	
4	* 4404120045	TECLADO MEMBRANA		8	* 00599AUTO	VÁLVULA SELECTORA AUTOMÁTICA 1 1/2"	
4	* 4404120064	TECLADO MEMBRANA		8	* 07444AUTO	VÁLVULA SELECTORA AUTOMÁTICA 2"	
5	* 4404120048	CJTO. TAMPA CAIXA ATUADOR 1 1/2"					

CODIGO **57186, 57187**

DESCRIÇÃO: **VÁLVULA SELECTORA AUTOMÁTICA 1 1/2" & 2"**

## OBSERVAÇÕES

POS	CODIGO	OBSERVAÇÕES
1	* 4404120062	PARA: 57186 ACTUALIZAR A VRAC III / TO UPDATE TO VRAC III
1	* 4404120063	PARA: 57187 ACTUALIZAR A VRAC III / TO UPDATE TO VRAC III
3	* 4404121501	PARA: 57186
3	* 4404122709	PARA: 57187
4	* 4404120045	PARA: ACTUADOR ORIGINAL / ORIGINAL ACTUATOR
4	* 4404120064	PARA: SI SE ACTUALIZO A VRAC III / IF UPDATED TO VRAC III
5	* 4404120048	PARA: 57186
5	* 4404120051	PARA: 57187
5	* 4404120065	PARA: SI SE ACTUALIZO A VRAC III / IF UPDATED TO VRAC III
7	* 4404120060	PARA: 57186 ACTUALIZAR A VRAC III (KIT PLACA Y TECLADO) / TO UPDATE TO VRAC III (SET PLATE AND KEYBOARD)
7	* 4404120061	PARA: 57187 ACTUALIZAR A VRAC III (KIT PLACA Y TECLADO) / TO UPDATE TO VRAC III (SET PLATE AND KEYBOARD)
8	* 00599AUTO	PARA: 57186
8	* 07444AUTO	PARA: 57187