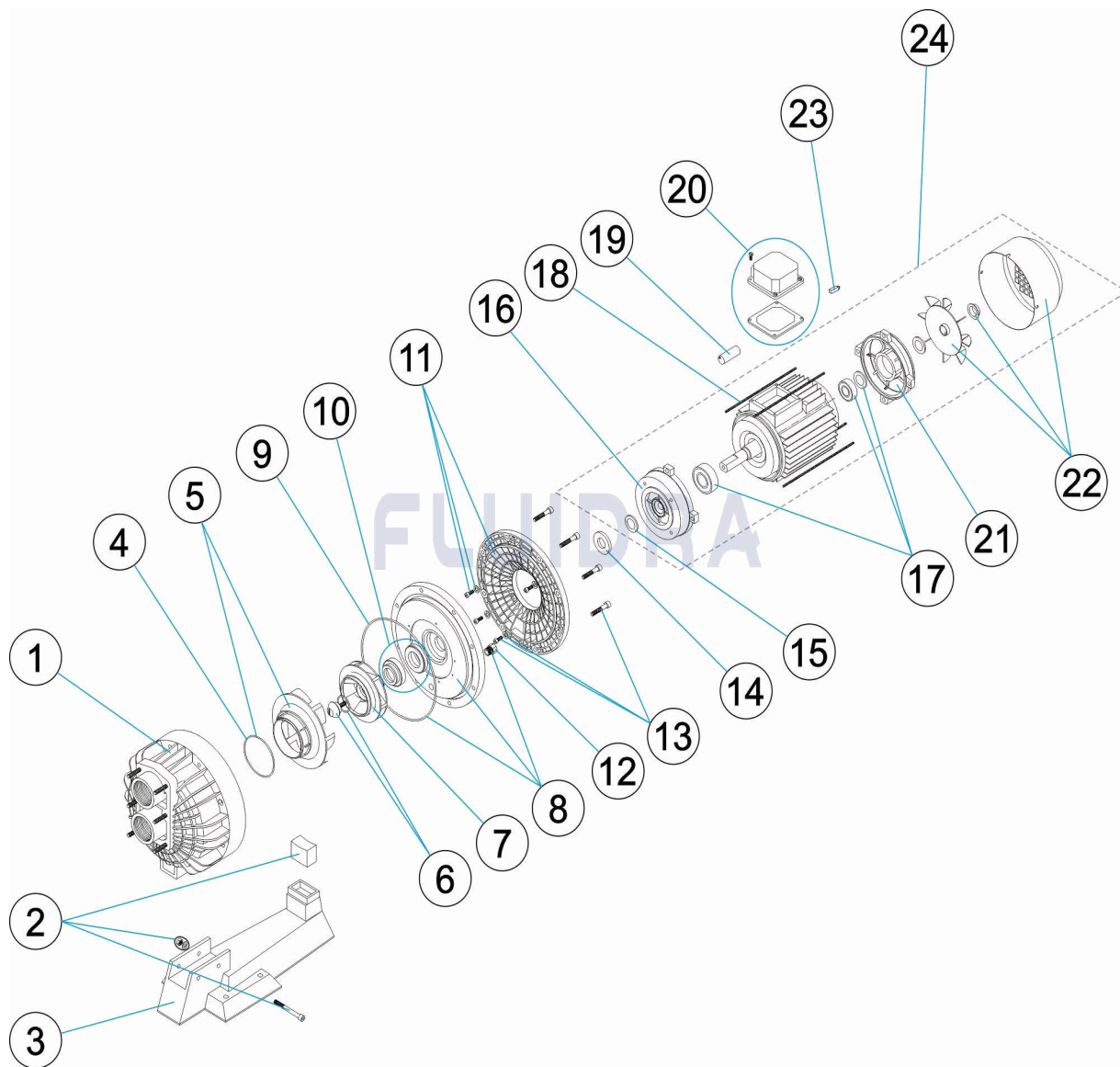


CODIGO **11504, 11505, 25415**

DESCRIPCION: **BOMBA CONTRACORRIENTE**



ESPAÑOL

POS	CODIGO	DESCRIPCION	CANTIDAD	POS	CODIGO	DESCRIPCION	CANTIDAD
1	4405030201	CUERPO BOMBA (2-3,5 HP)		15	* 4405010176	V-RING VA-2,5 - 3 HP II	
2	4405010313	UNIÓN HIDRÁULICA PIE <=4,5 HP		15	* 4405030209	JUNTA V	
3	4405010315	PIE BOMBA		16	* 4405010369	TAPA DELANTERA MOTOR 2,5-3 HP (BONOI	
4	4405030202	JUNTA TORICA 89,5X3		16	* 4405010381	TAPA DELANTERA MOTOR 2,5-3 HP (VERNI	
5	4405010316	DIFUSOR 3,5 HP ANTIGUO		16	* 4405030141	TAPA DELANTERA MOTOR 2 HP	
6	4405010338	TAPÓN RODETE		17	* 4405010171	CJTO. RODAMIENTO 6205 2RS 3,5HP	
7	* 4405010326	RODETE 3,5 HP III 50 HZ ANTIGUO		17	* 4405030206	RODAMIENTOS MOTOR 2 HP	
7	* 4405030203	RODETE 2 HP		18	* 4405010361	VARILLAS MOTOR 3,5 HP VAR.	
8	4405030204	BRIDA CIERRE MECANICO		18	* 4405010145	VARILLAS MOTOR 1,5 - 3 HP III	
9	4405010378	JUNTA TORICA D 226X6		18	* 4405010169	VARILLAS MOTOR (90) 3 HP II	
10	4405010322	JUNTA MECÁNICA		19	* 4405010175	CONDENSADOR 40 UF 2,5-3 CV	
11	4405010332	BRIDA MOTOR 3,5 HP		19	* 4405010727	CONDENSADOR 50 UF	
12	4404121107	TAPON ¼ VALVULA		19	* 4405010959	CONDENSADOR 55 UF	

CODIGO **11504, 11505, 25415**

DESCRIPCION: **BOMBA CONTRACORRIENTE**

13	4405030205	TORNILLERIA BRIDA MOTOR	20	* 4405030119	CJTO. CAJA CONEXIONES 2,5-3-4,5 HP (BO
14	4405010374	ARANDELA DEFLECTORA 24X50X6 4HP	20	* 4405010155	CJTO. CAJA BORNES (C 80-90) II (ANDIA)
21	* 4405010367	TAPA TRASERA MOTOR 3,5 HP (BONORA)	22	* 4405010170	CJTO. VENTILADOR-TAPA 3 HP II
21	* 4405010382	TAPA TRASERA MOTOR 2,5-3-3,5 HP (VERI	23	* 4405012221	PROTECTOR TERMICO REARMABLE (2 CV
21	* 4405030207	TAPA TRASERA 2 HP	23	* 4405012053	PROTECTOR TERMICO REARMABLE (2,5-3I
21	* 4405010168	TAPA TRASERA MOTOR 2,5 - 3 HP II	24	* 25493R0375	MOTOR 3,5 HP III
22	* 4405010383	CJTO. VENTILADOR-TAPA 3,5 HP VERNIS	24	* 11505R0475	MOTOR 2CV 220 II
22	* 4405010148	CJTO. VENTILADOR-TAPA 1,5 - 2 - 3 HP III	24	* 25415R0475	MOTOR 3 HP II

CODIGO **11504, 11505, 25415**

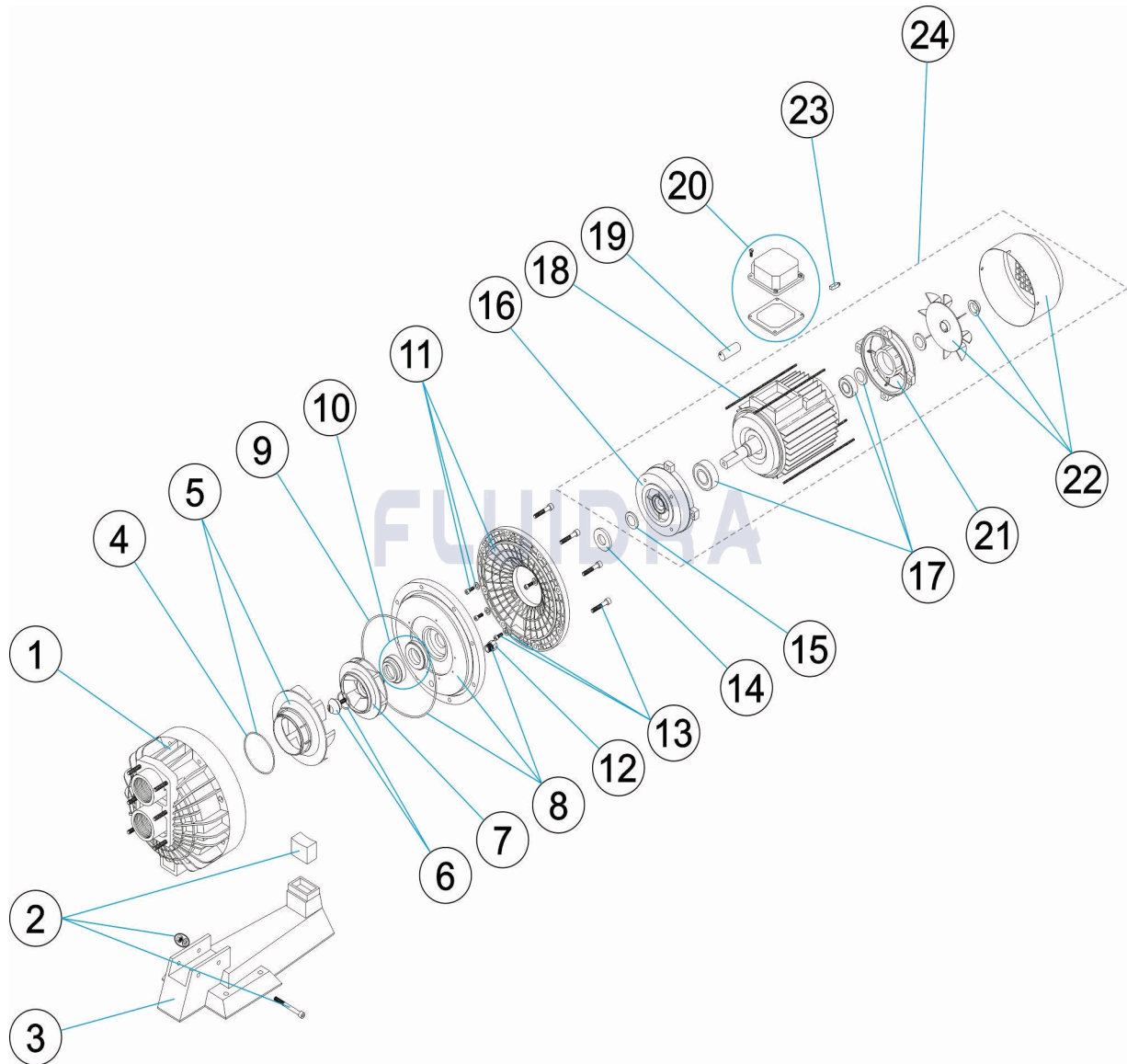
DESCRIPCION: **BOMBA CONTRACORRIENTE**

OBSERVACIONES

POS	CODIGO	OBSERVACIONES
7	* 4405010326	PARA: 11504, 25415
7	* 4405030203	PARA: 11505
15	* 4405010176	PARA: 11504, 25415
15	* 4405030209	PARA: 11505
16	* 4405010369	PARA: 11504 BONORA / AURICPOOL
16	* 4405010381	PARA: 11504, 25415 VERNIS
16	* 4405030141	PARA: 11505
17	* 4405010171	PARA: 11504, 25415
17	* 4405030206	PARA: 11505
18	* 4405010361	PARA: 11504
18	* 4405010145	PARA: 11505
18	* 4405010169	PARA: 25415
19	* 4405010175	PARA: 11505
19	* 4405010727	PARA: 25415 AURICPOOL
19	* 4405010959	PARA: 25415 VERNIS
20	* 4405030119	PARA: 11504
20	* 4405010155	PARA: 11505, 25415
21	* 4405010367	PARA: 11504 BONORA / AURICPOOL
21	* 4405010382	PARA: 11504 VERNIS
21	* 4405030207	PARA: 11505
21	* 4405010168	PARA: 25415
22	* 4405010383	PARA: 11504
22	* 4405010148	PARA: 11505
22	* 4405010170	PARA: 25415
23	* 4405012221	PARA: 11505
23	* 4405012053	PARA: 25415
24	* 25493R0375	PARA: 11504
24	* 11505R0475	PARA: 11505
24	* 25415R0475	PARA: 25415

CODE 11504, 11505, 25415

DESCRIPTION: POMPE CONTRE-COURANT



FRANCAIS

POS	CODE	DESCRIPTION	QUANTITE	POS	CODE	DESCRIPTION	QUANTITE
1	4405030201	CORPS POMPE (2-3,5HP)		15	* 4405010176	V-RINGS VA-2,5 - 3 HP II	
2	4405010313	RACCORD HYDRAULIQUE DE PIED <=4,5 f		15	* 4405030209	JOINT V	
3	4405010315	SOCLE POMPE		16	* 4405010369	COUVERCLE AXE MOTEUR 2,5-3 HP (BONC	
4	4405030202	JOINT TORIQUE 89,5X3		16	* 4405010381	COUVERCLE AXE MOTEUR 2,5-3 HP (VERN	
5	4405010316	DIFFUSEUR 3,5 HP OLD		16	* 4405030141	COUVERCLE AXE MOTEUR 2 HP (ANDIA)	
6	4405010338	BOUCHON BOUT D'AXE ROTOR		17	* 4405010171	ENSEMBLE ROULEMENT 6205 2RS 3,5HP	
7	* 4405010326	TURBINE 3,5 HP III 50 HZ OLD		17	* 4405030206	ROULEMENT MOTEUR 2 HP	
7	* 4405030203	TURBINE 2 HP		18	* 4405010361	TIRANTS D'ACCOUPEMENT MOTEUR 3,5 l	
8	4405030204	BRIDA GARNITURE MÉCANIQUE		18	* 4405010145	TIRANTS D'ACCOUPEMENT MOTEUR 1,5 -	
9	4405010378	JOINT TORIQUE D 226X6		18	* 4405010169	TIRANTS D'ACCOUPEMENT MOTEUR (90)	
10	4405010322	GARNITURE MÉCANIQUE		19	* 4405010175	CONDENSATEUR 40 ?F 2,5-3 CV	
11	4405010332	FLASQUE ACCOUP. MOTEUR 3,5 HP		19	* 4405010727	CONDENSATEUR 50 UF	
12	4404121107	BOUCHON 1/4' DE VANNE		19	* 4405010959	CONDENSATEUR 55 ?F	

* VOIR FICHE D'OBSERVATIONS

CODE **11504, 11505, 25415**

DESCRIPTION: **POMPE CONTRE-COURANT**

13	4405030205	VIS FLASQUE ACCOUP. MOTEUR	20	* 4405030119	ENSEMBLE BOITIER CONNEXION 2,5-3-4,5
14	4405010374	JOINT RAMASSE GOUTTES 24X50X6 4HP	20	* 4405010155	ENSEMBLE BOITIER CONNEXION (C 80-90)
21	* 4405010367	COUVERCLE ARRIÈRE MOTEUR 3,5 HP (B)	22	* 4405010170	ENSEMBLE COUVERCLE VENTILATEUR 3 HP
21	* 4405010382	COUVERCLE ARRIÈRE MOTEUR 2,5-3-3,5 HP	23	* 4405012221	PROTECTEUR THERMIQUE À RÉARMEMENT
21	* 4405030207	COUVERCLE ARRIÈRE 2 HP	23	* 4405012053	PROTECTEUR THERMIQUE À RÉARMEMENT
21	* 4405010168	COUVERCLE ARRIÈRE MOTEUR 2,5 - 3 HP	24	* 25493R0375	MOTEUR 3,5 HP III
22	* 4405010383	ENSEMBLE COUVERCLE VENTILATEUR 3 HP	24	* 11505R0475	MOTEUR 2 HP II
22	* 4405010148	ENSEMBLE COUVERCLE VENTILATEUR 1,5 HP	24	* 25415R0475	MOTEUR 3 HP II

CODE **11504, 11505, 25415**

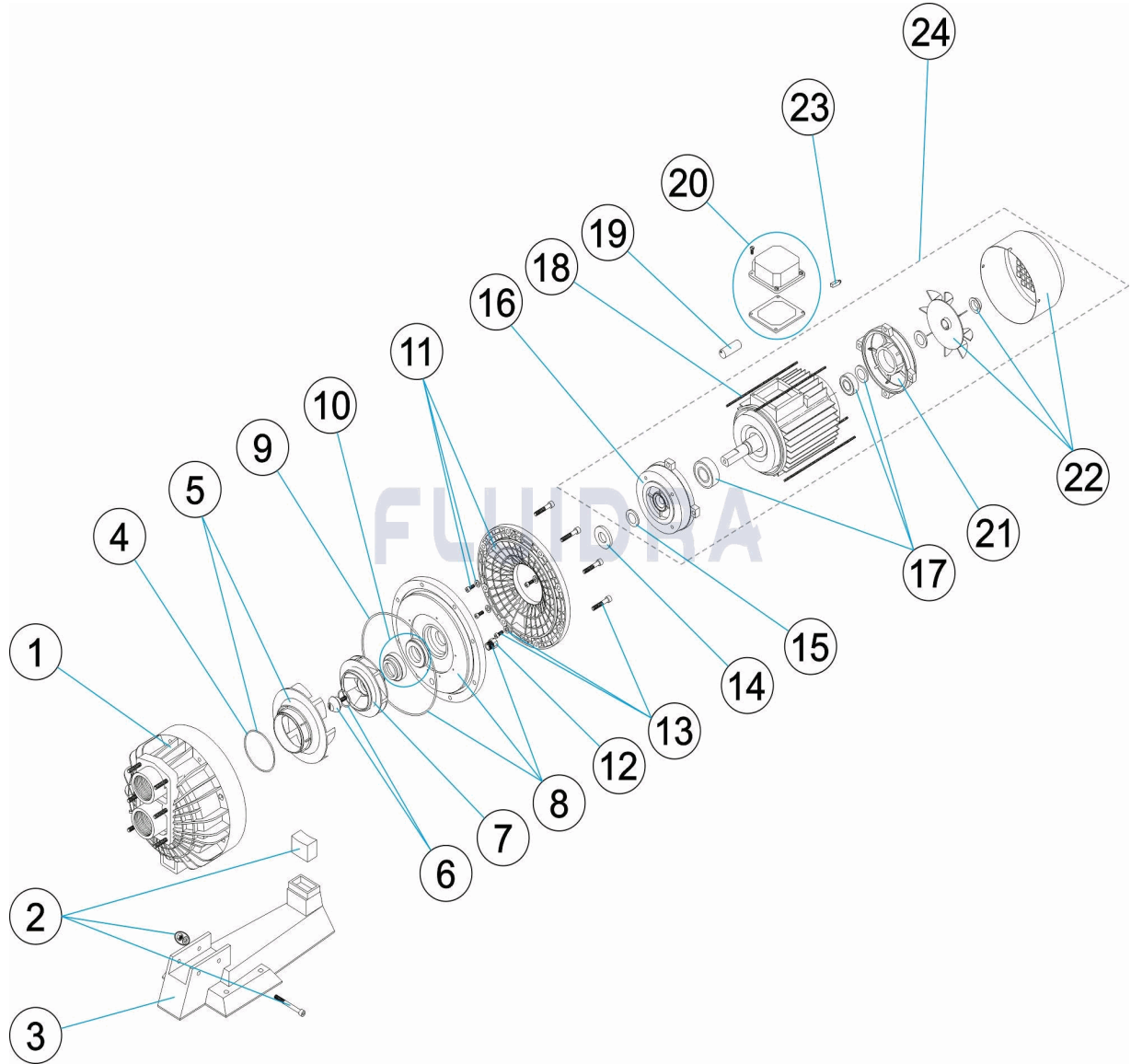
DESCRIPTION: **POMPE CONTRE-COURANT**

OBSERVATIONS

POS	CODE	OBSERVATIONS
7	* 4405010326	POUR: 11504, 25415
7	* 4405030203	POUR: 11505
15	* 4405010176	POUR: 11504, 25415
15	* 4405030209	POUR: 11505
16	* 4405010369	POUR: 11504 BONORA / AURICPOOL
16	* 4405010381	POUR: 11504, 25415 VERNIS
16	* 4405030141	POUR: 11505
17	* 4405010171	POUR: 11504, 25415
17	* 4405030206	POUR: 11505
18	* 4405010361	POUR: 11504
18	* 4405010145	POUR: 11505
18	* 4405010169	POUR: 25415
19	* 4405010175	POUR: 11505
19	* 4405010727	POUR: 25415 AURICPOOL
19	* 4405010959	POUR: 25415 VERNIS
20	* 4405030119	POUR: 11504
20	* 4405010155	POUR: 11505, 25415
21	* 4405010367	POUR: 11504 BONORA / AURICPOOL
21	* 4405010382	POUR: 11504 VERNIS
21	* 4405030207	POUR: 11505
21	* 4405010168	POUR: 25415
22	* 4405010383	POUR: 11504
22	* 4405010148	POUR: 11505
22	* 4405010170	POUR: 25415
23	* 4405012221	POUR: 11505
23	* 4405012053	POUR: 25415
24	* 25493R0375	POUR: 11504
24	* 11505R0475	POUR: 11505
24	* 25415R0475	POUR: 25415

CODE **11504, 11505, 25415**

DESCRIPTION: **COUNTER-CURRENT PUMP**



ENGLISH

POS	CODE	DESCRIPTION	QUANTITY	POS	CODE	DESCRIPTION	QUANTITY
1	4405030201	PUMP HOUSING (2-3,5 HP)		15	* 4405010176	V-RINGS VA-2,5 - 3 HP II	
2	4405010313	PUMP BASE FITTINGS <=4,5 HP		15	* 4405030209	GASKET V	
3	4405010315	PUMP BASE		16	* 4405010369	FRONT MOTOR COVER 2,5-3 HP (BONORA)	
4	4405030202	O' RING 89,5X3		16	* 4405010381	FRONT MOTOR COVER 2,5-3 HP (VERNIS)	
5	4405010316	DIFFUSOR 3,5 HP OLD		16	* 4405030141	FRONT MOTOR COVER 2 HP (ANDIA)	
6	4405010338	IMPELLER COVER		17	* 4405010171	BEARINGS ASSEMBLY 6205 2RS 3,5HP	
7	* 4405010326	IMPELLER 3,5 HP III 50 HZ OLD		17	* 4405030206	MOTOR BEARINGS 2 HP	
7	* 4405030203	IMPELLER 2 HP		18	* 4405010361	MOTOR TIES 3,5 HP VAR.	
8	4405030204	FLANGE MECHANICAL SEAL		18	* 4405010145	MOTOR TIES 1,5 - 3 HP III	
9	4405010378	O' RING D 226X6		18	* 4405010169	MOTOR TIES (90) 3 HP II	
10	4405010322	MECHANICAL SEAL		19	* 4405010175	CONDENSER 40 ?F 2,5-3 CV	
11	4405010332	MOTOR CLAMP 3,5 HP		19	* 4405010727	CONDENSER 50 UF	
12	4404121107	PLUG 1/4"		19	* 4405010959	CONDENSER 55 UF	

CODE **11504, 11505, 25415**

DESCRIPTION: **COUNTER-CURRENT PUMP**

13	4405030205	FLANGE SCREWS	20	* 4405030119	CONNECTION BOX ASSEMBLY 2,5-3-4,5 HP
14	4405010374	DEFLECTOR WASHER 24X50X6 4HP	20	* 4405010155	TERMINAL BOX ASSEMBLY (C 80-90) II (AN)
21	* 4405010367	REAR MOTOR COVER 3,5 HP (BONORA)	22	* 4405010170	FAN COVER ASSEMBLY 3 HP II
21	* 4405010382	REAR MOTOR COVER 2,5-3-3,5 HP (VERNI)	23	* 4405012221	RESETTABLE THERMAL PROTECTION (2 H
21	* 4405030207	REAR COVER 2 HP	23	* 4405012053	RESETTABLE THERMAL PROTECTION (2,5-
21	* 4405010168	REAR MOTOR COVER 2,5 - 3 HP II	24	* 25493R0375	MOTOR 3,5 HP III
22	* 4405010383	FAN COVER ASSEMBLY 3,5 (VERNIS)	24	* 11505R0475	MOTOR 2 HP II
22	* 4405010148	FAN COVER ASSEMBLY 1,5 - 2 - 3 HP III	24	* 25415R0475	MOTOR 3 HP II

CODE **11504, 11505, 25415**

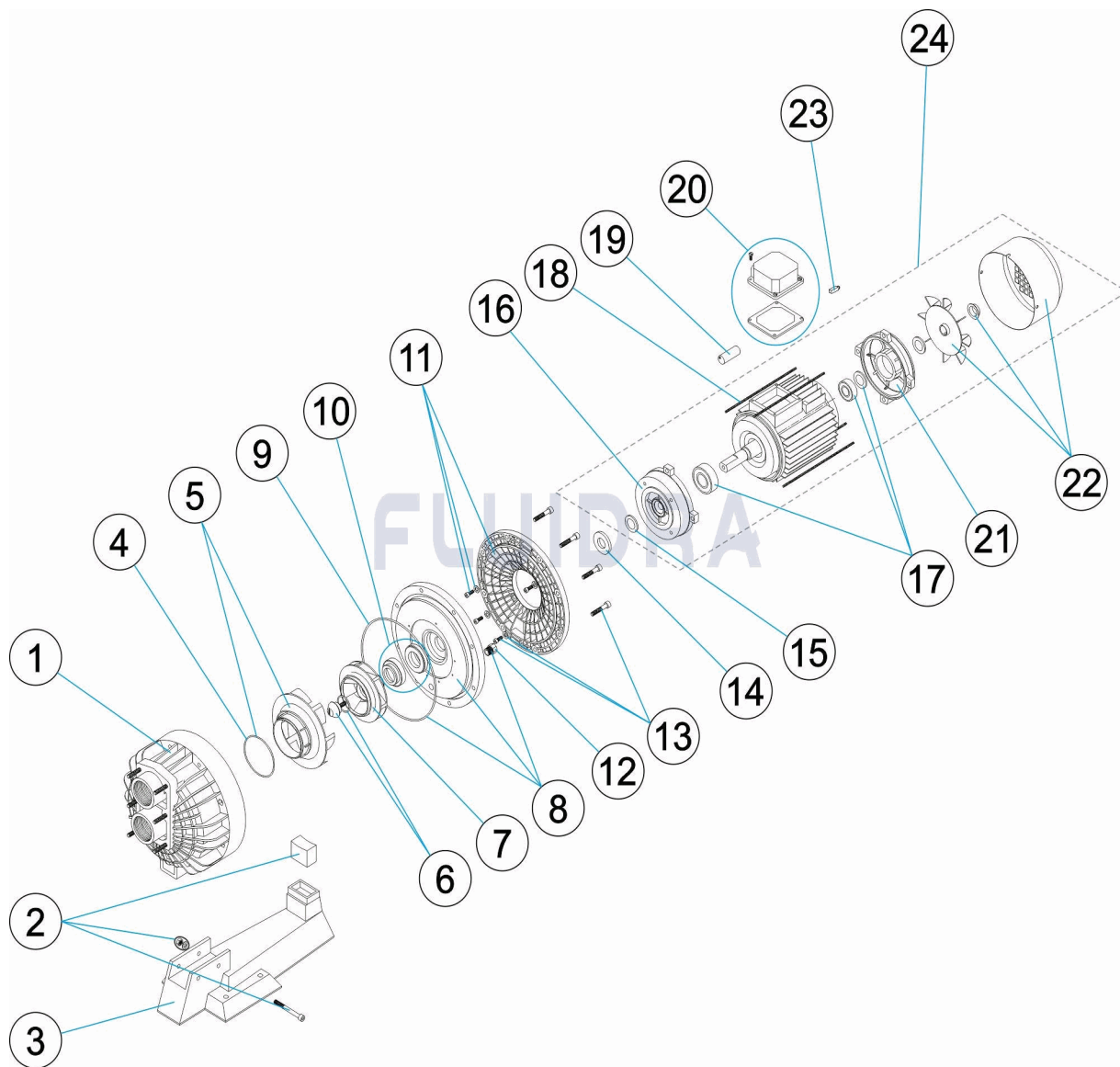
DESCRIPTION: **COUNTER-CURRENT PUMP**

OBSERVATIONS

POS	CODE	OBSERVATIONS
7	* 4405010326	FOR: 11504, 25415
7	* 4405030203	FOR: 11505
15	* 4405010176	FOR: 11504, 25415
15	* 4405030209	FOR: 11505
16	* 4405010369	FOR: 11504 BONORA / AURICPOOL
16	* 4405010381	FOR: 11504, 25415 VERNIS
16	* 4405030141	FOR: 11505
17	* 4405010171	FOR: 11504, 25415
17	* 4405030206	FOR: 11505
18	* 4405010361	FOR: 11504
18	* 4405010145	FOR: 11505
18	* 4405010169	FOR: 25415
19	* 4405010175	FOR: 11505
19	* 4405010727	FOR: 25415 AURICPOOL
19	* 4405010959	FOR: 25415 VERNIS
20	* 4405030119	FOR: 11504
20	* 4405010155	FOR: 11505, 25415
21	* 4405010367	FOR: 11504 BONORA / AURICPOOL
21	* 4405010382	FOR: 11504 VERNIS
21	* 4405030207	FOR: 11505
21	* 4405010168	FOR: 25415
22	* 4405010383	FOR: 11504
22	* 4405010148	FOR: 11505
22	* 4405010170	FOR: 25415
23	* 4405012221	FOR: 11505
23	* 4405012053	FOR: 25415
24	* 25493R0375	FOR: 11504
24	* 11505R0475	FOR: 11505
24	* 25415R0475	FOR: 25415

CODICE **11504, 11505, 25415**

DESCRIZIONE: **POMPA CONTROCORRENTE**



ITALIANO

POS	CODICE	DESCRIZIONE	QUANTITA'	POS	CODICE	DESCRIZIONE	QUANTITA'
1	4405030201	CORPO POMBA (2-3,5 HP)		15	* 4405010176	V-RINGS VA-2,5 - 3 HP II	
2	4405010313	UNIONS PARTE IDRAULICA-BASE POMP/		15	* 4405030209	O-RING V	
3	4405010315	PIEDE POMPA		16	* 4405010369	COPERCHIO ANTERIORE MOTORE 2,5-3 HF	
4	4405030202	O-RING 89,5X3		16	* 4405010381	COPERCHIO ANTERIORE MOTORE 2,5-3 HF	
5	4405010316	DIFFUSORE 3,5 HP OLD		16	* 4405030141	COPERCHIO ANTERIORE MOTORE 2 HP (A	
6	4405010338	TAPPO RUOTA		17	* 4405010171	KIT ROLAMENTO 6205 2RS 3,5HP	
7	* 4405010326	RUOTA 3,5 HP III 50 HZ OLD		17	* 4405030206	CUSCINETTO MOTORE 2 HP	
7	* 4405030203	RUOTA 2 HP		18	* 4405010361	ASTAS MOTORE 3,5 HP VAR.	
8	4405030204	BRIDA TENUTA MECCANICA		18	* 4405010145	ASTAS MOTORE 1,5 - 3 HP III	
9	4405010378	O-RING D 226X6		18	* 4405010169	ASTAS MOTORE (90) 3 HP II	
10	4405010322	GUARNIZIONE MECCANICA		19	* 4405010175	CONDENSATORE 40 ?F 2,5-3 CV	
11	4405010332	FLANGIA MOTORE 3,5 HP		19	* 4405010727	CONDENSATORE 50 UF	
12	4404121107	COPERCHIO 1/4' VALVOLA		19	* 4405010959	CONDENSATORE 55 ?F	

*** SI FACCIA RIFERIMENTO AL FOGLIO DELLE OSSERVAZIONI**

CODICE **11504, 11505, 25415**

DESCRIZIONE: **POMPA CONTROCORRENTE**

13	4405030205	BUTIONERIA FLANGIA MOTORE	20	* 4405030119	GRUPPO MORSETTIERA 2,5-3-4,5 HP (BON-
14	4405010374	RONDELLA DEFLETTORICE 24X50X6 4HP	20	* 4405010155	GRUPPO MORSETTIERA (C 80-90) II (ANDIA
21	* 4405010367	COPERCHIO POSTERIORE MOTORE 3,5 HI	22	* 4405010170	KIT VENTOLA-COPRIVENTOLA 3 HP II
21	* 4405010382	COPERCHIO POSTERIORE MOTORE 2,5-3-	23	* 4405012221	PROTETTORE TERMICO RESETTABILE 2 C'
21	* 4405030207	COPERCHIO POSTERIORE 2 HP	23	* 4405012053	PROTETTORE TERMICO RESETTABILE 2,5-
21	* 4405010168	COPERCHIO POSTERIORE MOTORE 2,5 - :	24	* 25493R0375	MOTOR 3,5 HP III
22	* 4405010383	KIT VENTOLA-COPRIVENTOLA 3,5 HP (VEF	24	* 11505R0475	MOTOR 2 HP II
22	* 4405010148	KIT VENTOLA-COPRIVENTOLA 1,5 - 2 - 3 HI	24	* 25415R0475	MOTOR 3 HP II

CODICE **11504, 11505, 25415**

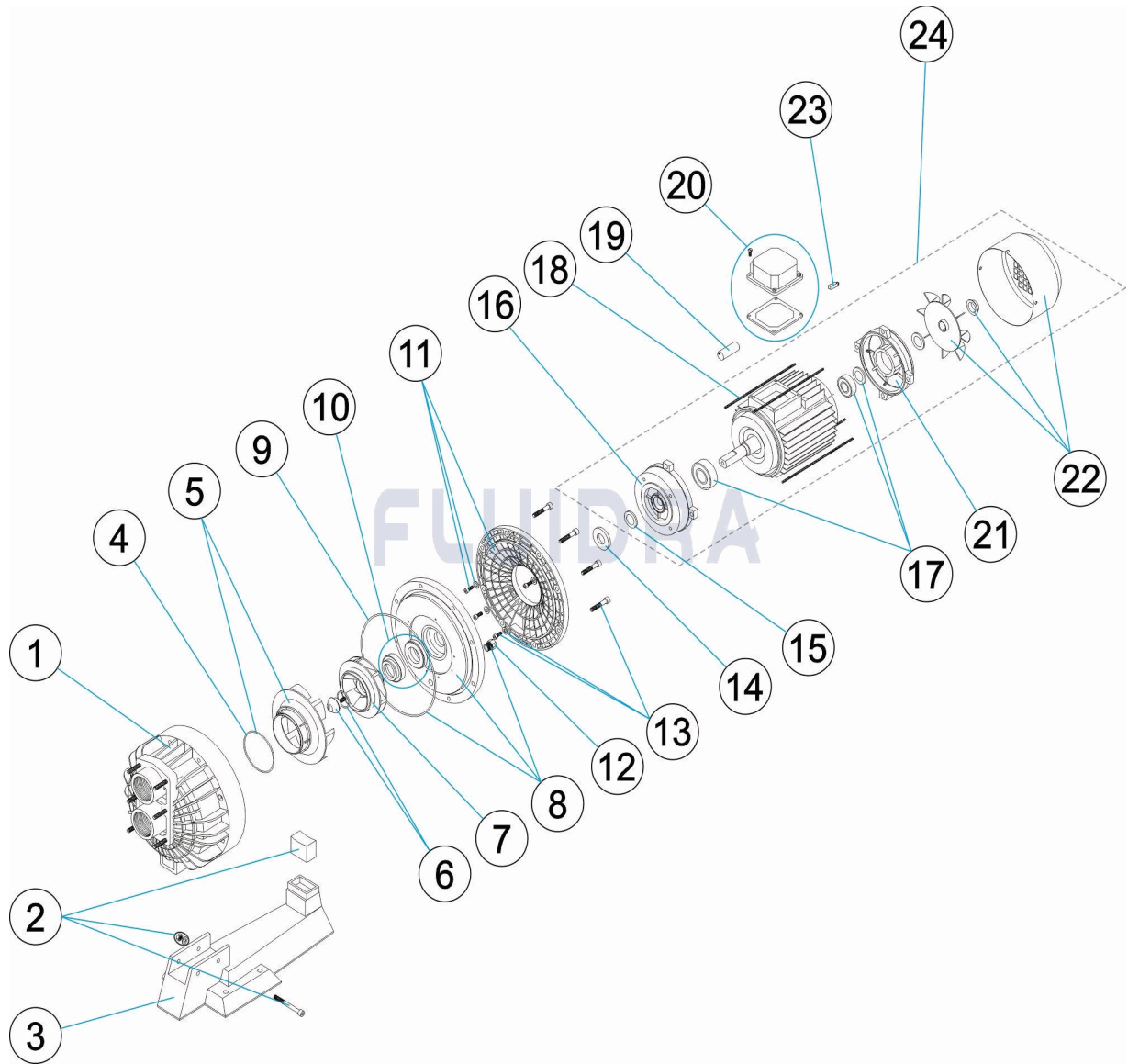
DESCRIZIONE: **POMPA CONTROCORRENTE**

OSSERVAZIONI

POS	CODICE	OSSERVAZIONI
7	* 4405010326	PER: 11504, 25415
7	* 4405030203	PER: 11505
15	* 4405010176	PER: 11504, 25415
15	* 4405030209	PER: 11505
16	* 4405010369	PER: 11504 BONORA / AURICPOOL
16	* 4405010381	PER: 11504, 25415 VERNIS
16	* 4405030141	PER: 11505
17	* 4405010171	PER: 11504, 25415
17	* 4405030206	PER: 11505
18	* 4405010361	PER: 11504
18	* 4405010145	PER: 11505
18	* 4405010169	PER: 25415
19	* 4405010175	PER: 11505
19	* 4405010727	PER: 25415 AURICPOOL
19	* 4405010959	PER: 25415 VERNIS
20	* 4405030119	PER: 11504
20	* 4405010155	PER: 11505, 25415
21	* 4405010367	PER: 11504 BONORA / AURICPOOL
21	* 4405010382	PER: 11504 VERNIS
21	* 4405030207	PER: 11505
21	* 4405010168	PER: 25415
22	* 4405010383	PER: 11504
22	* 4405010148	PER: 11505
22	* 4405010170	PER: 25415
23	* 4405012221	PER: 11505
23	* 4405012053	PER: 25415
24	* 25493R0375	PER: 11504
24	* 11505R0475	PER: 11505
24	* 25415R0475	PER: 25415

CODE **11504, 11505, 25415**

BESCHREIBUNG: **GEGENSTROMPUMPE**



DEUTSCH

POS	CODE	BESCHREIBUNG	MENGE	POS	CODE	BESCHREIBUNG	MENGE
1	4405030201	PUMPENGEHÄUSE (2 - 3,5 HP)		15	* 4405010176	DICHTUNGSRING VA - 2,5 - 3 HP II	
2	4405010313	VERBINDUNG HYDRAULIK-FUSS <= 4,5 HF		15	* 4405030209	DICHTUNGSRING	
3	4405010315	PUMPENFUSS		16	* 4405010369	MOTORDECKEL VORNE 2,5 - 3 HP (BONOR)	
4	4405030202	O-RING 89,5 X 3		16	* 4405010381	MOTORDECKEL VORNE 2,5 - 3 HP (VERNIS)	
5	4405010316	WASSERVERTEILER 3,5 HP VORVERSION		16	* 4405030141	MOTORDECKEL VORNE 2 HP	
6	4405010338	STOPFEN LAUFRAD		17	* 4405010171	SET WÄLZLAGER 6205 2RS 3,5 HP	
7	* 4405010326	LAUFRAD 3,5 HP III 50 HZ VORVERSION		17	* 4405030206	WÄLZLAGER MOTOR 2 HP	
7	* 4405030203	LAUFRAD 2 HP		18	* 4405010361	RUNDEISEN MOTOR 3,5 HP VAR	
8	4405030204	GLEITRINGDICHTUNG SCHLIESSVORRICHT		18	* 4405010145	RUNDEISEN MOTOR 1,5 - 3 HP III	
9	4405010378	O-RING D. 226 X 6		18	* 4405010169	RUNDEISEN MOTOR (90) 3 HP II	
10	4405010322	GLEITRINGDICHTUNG		19	* 4405010175	KONDENSATOR 40 UF 2,5 - 3 CV	
11	4405010332	MOTORFLANSCH 3,5 HP		19	* 4405010727	KONDENSATOR 50 UF	
12	4404121107	STOPFEN 1/4' VENTIL		19	* 4405010959	KONDENSATOR 55 UF	

* SIEHE ANMERKUNGSBLATT

CODE **11504, 11505, 25415**

BESCHREIBUNG: **GEGENSTROMPUMPE**

13	4405030205	SCHRAUBENSATZ MOTORFLANSCH	20	* 4405030119	SET ANSCHLUSS-SCHRANK 2,5 - 3 - 4,5 HP
14	4405010374	BEILAGSCHEIBE 24 X 50 X 64 HP	20	* 4405010155	SET KLEMMSCHRANK (C 80 - 90) II (ANDIA)
21	* 4405010367	MOTORDECKEL HINTEN 3,5 HP (BONORA)	22	* 4405010170	SET VENTILATOR - ABDECKUNG 3 HP II
21	* 4405010382	MOTORDECKEL HINTEN 2,5 - 3 - 3,5 HP (VE	23	* 4405012221	RÜCKSETZBARER WÄRMESCHUTZ (2 CV 2
21	* 4405030207	ABDECKUNG HINTEN 2 HP	23	* 4405012053	RÜCKSETZBARER WÄRMESCHUTZ (2,5 - 3
21	* 4405010168	MOTORDECKEL HINTEN 2,5 - 3 HP II	24	* 25493R0375	MOTOR 3,5 HP III
22	* 4405010383	SET VENTILATOR - ABDECKUNG 3,5 HP VE	24	* 11505R0475	MOTOR 2 CV 220 II
22	* 4405010148	SET VENTILATOR - ABDECKUNG 1,5 - 2 - 3	24	* 25415R0475	MOTOR 3 HP II

CODE **11504, 11505, 25415**

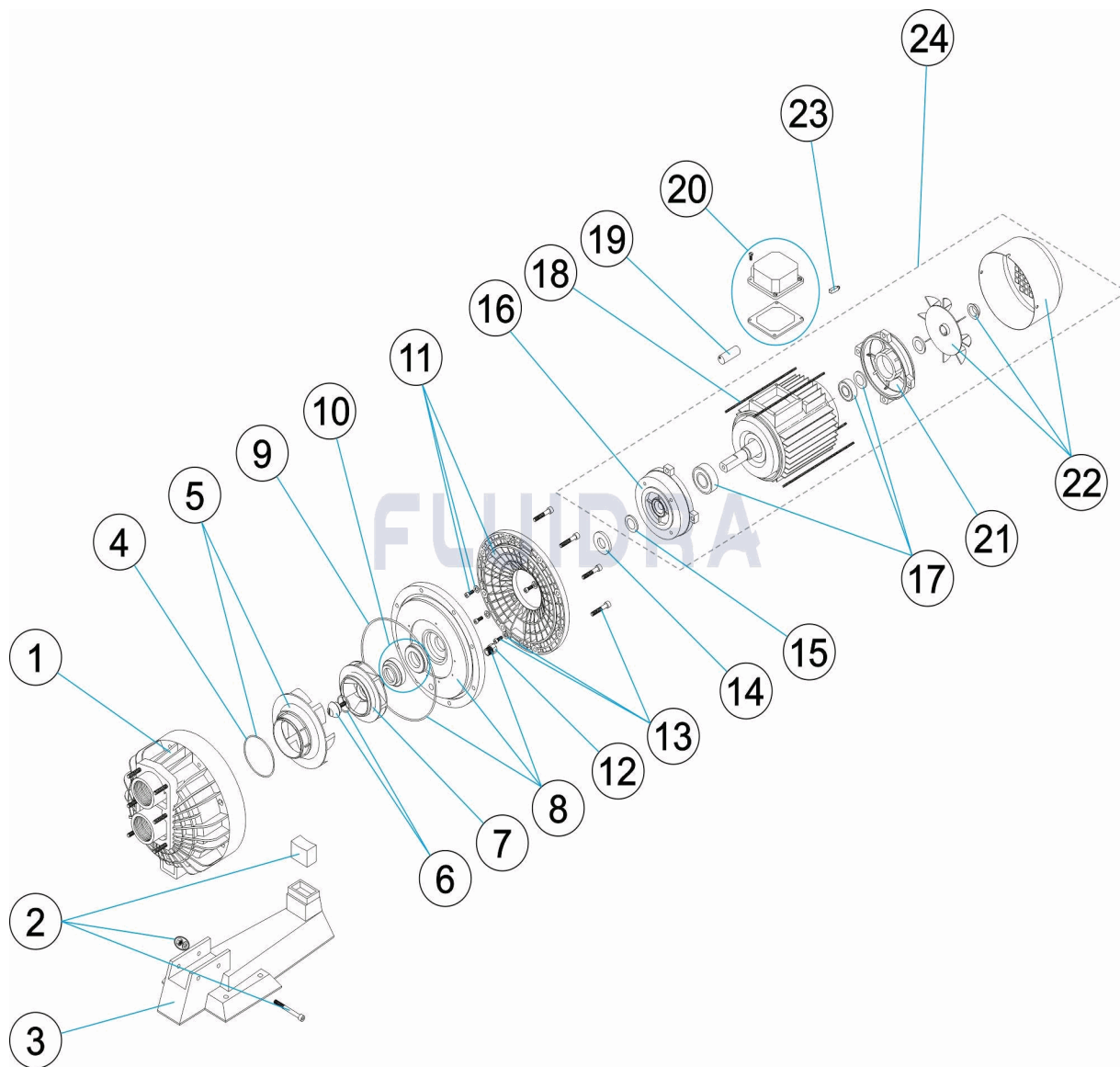
BESCHREIBUNG: **GEGENSTROMPUMPE**

HINWEISE

POS	CODE	HINWEISE
7	* 4405010326	FÜR: 11504, 25415
7	* 4405030203	FÜR: 11505
15	* 4405010176	FÜR: 11504, 25415
15	* 4405030209	FÜR: 11505
16	* 4405010369	FÜR: 11504 BONORA / AURICPOOL
16	* 4405010381	FÜR: 11504, 25415 VERNIS
16	* 4405030141	FÜR: 11505
17	* 4405010171	FÜR: 11504, 25415
17	* 4405030206	FÜR: 11505
18	* 4405010361	FÜR: 11504
18	* 4405010145	FÜR: 11505
18	* 4405010169	FÜR: 25415
19	* 4405010175	FÜR: 11505
19	* 4405010727	FÜR: 25415 AURICPOOL
19	* 4405010959	FÜR: 25415 VERNIS
20	* 4405030119	FÜR: 11504
20	* 4405010155	FÜR: 11505, 25415
21	* 4405010367	FÜR: 11504 BONORA / AURICPOOL
21	* 4405010382	FÜR: 11504 VERNIS
21	* 4405030207	FÜR: 11505
21	* 4405010168	FÜR: 25415
22	* 4405010383	FÜR: 11504
22	* 4405010148	FÜR: 11505
22	* 4405010170	FÜR: 25415
23	* 4405012221	FÜR: 11505
23	* 4405012053	FÜR: 25415
24	* 25493R0375	FÜR: 11504
24	* 11505R0475	FÜR: 11505
24	* 25415R0475	FÜR: 25415

CODIGO **11504, 11505, 25415**

DESCRIÇÃO: **BOMBA CONTRA-CORRENTE**



PORTUGUES

POS	CODIGO	DESCRIÇÃO	JANTIDADE	POS	CODIGO	DESCRIÇÃO	JANTIDADE
1	4405030201	CORPO BOMBA (2-3,5 HP)		15	* 4405010176	V-RINGS VA-2,5 - 3 HP II	
2	4405010313	UNIÃO HIDRÁULICA PIE <=4,5 HP		15	* 4405030209	JUNTA V	
3	4405010315	PÉ BOMBA		16	* 4405010369	TAMPA DIANTEIRA MOTOR 2,5-3 HP (BONO)	
4	4405030202	JUNTA TÓRICA 89,5X3		16	* 4405010381	TAMPA DIANTEIRA MOTOR 2,5-3 HP (VERNI)	
5	4405010316	DIFUSOR 3,5 HP OLD		16	* 4405030141	TAMPA DIANTEIRA MOTOR 2 HP (ANDIA)	
6	4405010338	TAMPO RODÍZIO		17	* 4405010171	CONJUNTO ROLAMENTO 6205 2RS 3,5HP	
7	* 4405010326	RODÍZIO 3,5 HP III 50 HZ OLD		17	* 4405030206	ROLAMENTO MOTOR 2 HP	
7	* 4405030203	RODÍZIO 2 HP		18	* 4405010361	VARETAS MOTOR 3,5 HP VAR.	
8	4405030204	BRIDA SELO MECANICO		18	* 4405010145	VARETAS MOTOR 1,5 - 3 HP III	
9	4405010378	JUNTA TÓRICA D 226X6		18	* 4405010169	VARETAS MOTOR (90) 3 HP II	
10	4405010322	JUNTA MECÂNICA		19	* 4405010175	CONDENSATEUR 40 ?F 2,5-3 CV	
11	4405010332	MANILHA MOTOR 3,5 HP		19	* 4405010727	CONDENSATEUR 50 UF	
12	4404121107	TAMPÃO 1/4' VÁLVULA		19	* 4405010959	CONDENSADOR 55 ?F	

CODIGO **11504, 11505, 25415**

DESCRIÇÃO: **BOMBA CONTRA-CORRENTE**

13	4405030205	PARAFUSOS DA FLANGE DO SELO	20	* 4405030119	CONJUNTO CAIXA LIGAÇÕES 2,5-3-4,5 HP (
14	4405010374	ANILHA DEFLECTORA 24X50X6 4HP	20	* 4405010155	CONJUNTO CAIXA LIGAÇÕES 2-2,5-3 HP (A
21	* 4405010367	TAMPA TRASEIRA MOTOR 3,5 HP (BONOR/	22	* 4405010170	CONJUNTO VENTILLADOR-TAMPA 3 HP II
21	* 4405010382	TAMPA TRASEIRA MOTOR 2,5-3-3,5 HP (VE	23	* 4405012221	PROTECTOR TÉRMICO REARMÁVEL 2 CV.
21	* 4405030207	TAMPA TRASEIRA 2 HP	23	* 4405012053	PROTECTOR TÉRMICO REARMÁVEL 2,5-3 (
21	* 4405010168	TAMPA TRASEIRA MOTOR 2,5 - 3 HP II	24	* 25493R0375	MOTOR 3,5 HP III
22	* 4405010383	CONJUNTO VENTILLADOR-TAMPA 3,5 HP (24	* 11505R0475	MOTOR 2 HP II
22	* 4405010148	CONJUNTO VENTILLADOR-TAMPA 1,5 - 2 -	24	* 25415R0475	MOTOR 3 HP II

CODIGO 11504, 11505, 25415

DESCRIÇÃO: BOMBA CONTRA-CORRENTE

OBSERVAÇÕES

POS	CODIGO	OBSERVAÇÕES
7	* 4405010326	PARA: 11504, 25415
7	* 4405030203	PARA: 11505
15	* 4405010176	PARA: 11504, 25415
15	* 4405030209	PARA: 11505
16	* 4405010369	PARA: 11504 BONORA / AURICPOOL
16	* 4405010381	PARA: 11504, 25415 VERNIS
16	* 4405030141	PARA: 11505
17	* 4405010171	PARA: 11504, 25415
17	* 4405030206	PARA: 11505
18	* 4405010361	PARA: 11504
18	* 4405010145	PARA: 11505
18	* 4405010169	PARA: 25415
19	* 4405010175	PARA: 11505
19	* 4405010727	PARA: 25415 AURICPOOL
19	* 4405010959	PARA: 25415 VERNIS
20	* 4405030119	PARA: 11504
20	* 4405010155	PARA: 11505, 25415
21	* 4405010367	PARA: 11504 BONORA / AURICPOOL
21	* 4405010382	PARA: 11504 VERNIS
21	* 4405030207	PARA: 11505
21	* 4405010168	PARA: 25415
22	* 4405010383	PARA: 11504
22	* 4405010148	PARA: 11505
22	* 4405010170	PARA: 25415
23	* 4405012221	PARA: 11505
23	* 4405012053	PARA: 25415
24	* 25493R0375	PARA: 11504
24	* 11505R0475	PARA: 11505
24	* 25415R0475	PARA: 25415